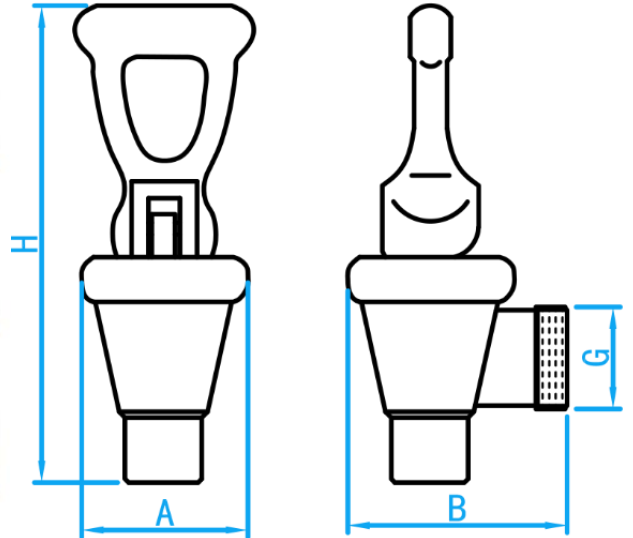
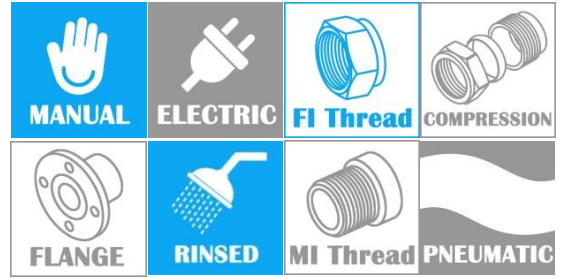


# BOILER TAP



SIDE VIEW

## COMPONENT PARTS

ITEM	PARTS	MATERIAL
1	Main Body	Nylon

## SPECIFICATIONS

SKU	G (inch)	H (mm)	A (mm)	B (mm)	WEIGHT (Kg)	NOS/CTN
BTN020	¾"	68	41	56	0.049	100